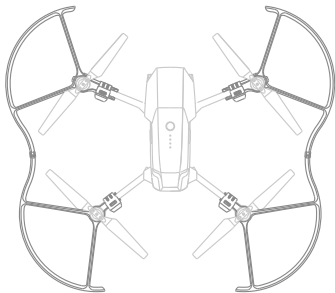


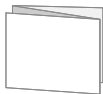
LED PROPELLER GUARD

FOR MAVIC PRO

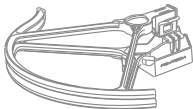


PGYTECH

包装清单 In The Box



使用说明书×1
User Manual



御 MAVIC PRO LED护桨×2
LED Propeller Guard for MAVIC PRO

基本参数

产品名称：御 MAVIC PRO LED护桨

产品型号：P-MA-124 主要材质：ABS

内含锂聚合物电池 5v USB充电

Product Specifications

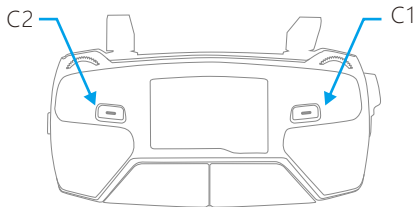
Product Name: LED Propeller Guard for MAVIC PRO

Item Number : P-MA-124 Materials: ABS

Contains Li-polymer battery inside

5v USB Charging

自定义快捷键 Custom keyboard shortcuts



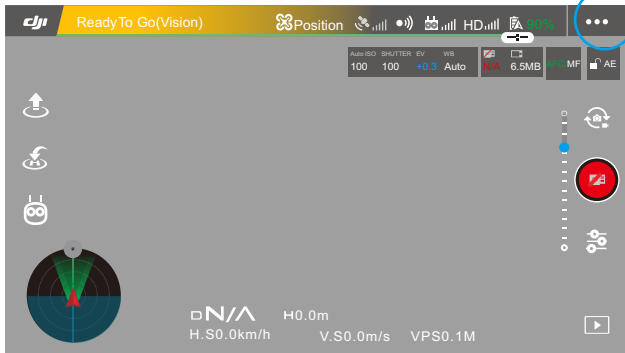
注：在飞行前，请将摇控器“C1”或“C2”键设置为“打开/关闭机头指示灯”，此按键就是LED灯模式切换键。

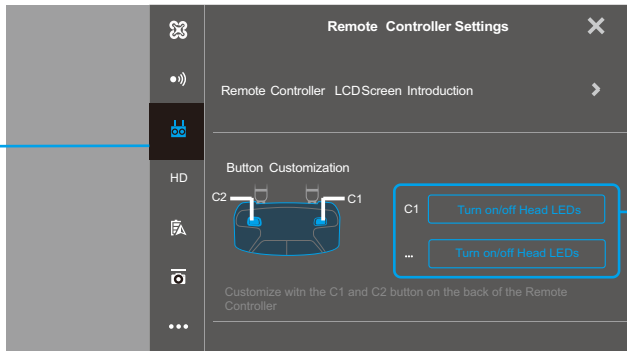
您可以按下已定义好的“C1”或“C2”键来进行不同亮光模式的切换，LED灯共有14种亮光模式可选，每按一次按键，灯光会切换一次，最后一次是关闭LED灯。

Note: Before flying, please set the key "C1" or "C2" as "Turn on/off Head LEDs", and it will be set as the key to change the LED light modes.
To select a mode, keep pressing the key until displaying the desired mode.
You can choose from 14 different modes, the last one being POWER OFF.

1. 打开飞机及遥控器。
2. 打开 DJI GO 4 APP。
3. 进入MAVIC PRO APP控制界面，点击界面右上角“设置”按钮。

1. Turn on the drone and remote control.
2. Open the DJI GO 4 APP.
3. Click on the remote control tab and click set button in the upper right corner.





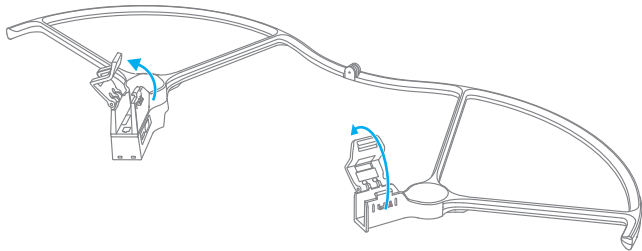
4. 点击“遥控器设置”。

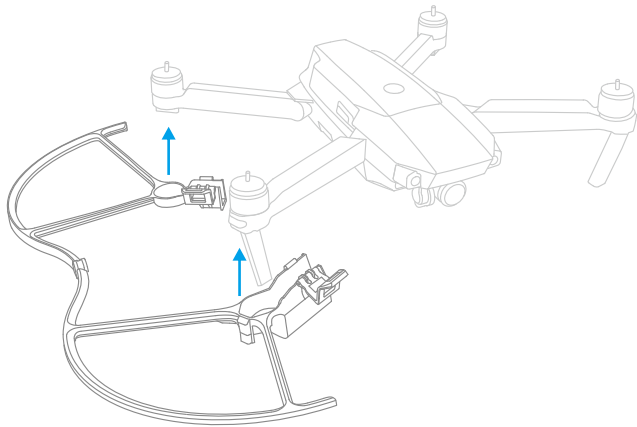
4. Click "Remote Controller Settings"

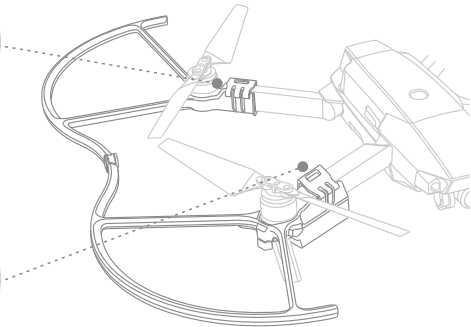
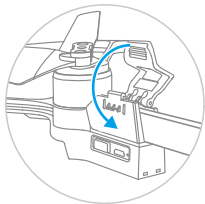
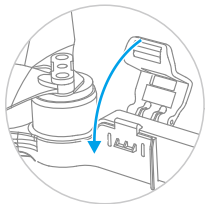
5. 设置“C1”或“C2”为“开启/关闭机头指示灯”。

5. Set "C1" or "C2" as "Turn on/off Head LEDs"

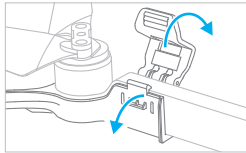
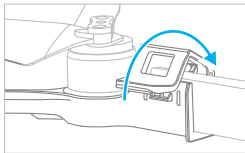
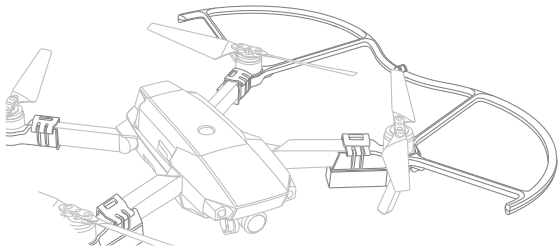
安装示意图 Instructions



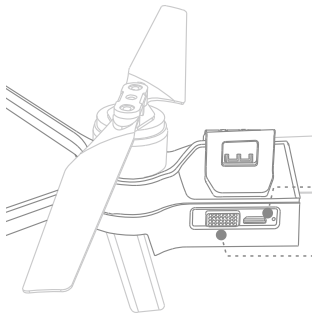




拆卸示意图 Removing the guards



快速指南 Quick Tour



5v USB 充电口
5v USB Charging Port

电源开关
Power Switch

Tutorial



视频教程



RoHS

Designed by PGYTECH
MADE IN CHINA
www.pgy-tech.com